

# Atlas Copco

## Oil-injected Rotary Screw Compressors



### GX 2-11

2-11 kW/3-15 hp



# New GX series: compact screw compressors built to last

Atlas Copco screw compressors have always set the standard for reliability and performance in the compressed air industry. With the new GX 2-11, Atlas Copco brings the power and reliability of an industrial screw compressor to small and medium sized industries. The advanced sound dampening of these units ensures silent power while simple reliability is guaranteed as the GX is suitable for 100% continuous duty.



## COMPLETE COMPRESSED AIR INSTALLATION

The GX 2-11 is delivered with all of the components required for a complete installation. Suitable for customers who have limited space, the package has a minimum footprint. The GX is also available with a built-in dryer to reduce the space requirements even further. In addition, all air connections have been optimized to minimize pressure drop and potential air leaks.

## REDUCED POWER CONSUMPTION

The GX offers the low energy consumption and high efficiency of a rotary screw compressor. The standard start/stop control on the GX 2-5 insures the compressor is only consuming power when compressed air is needed. The GX 7-11 is equipped with energy efficient load/no load control. Compared to piston compressors that suffer from increased energy consumption over time, GX screw compressors always provide high efficiency.

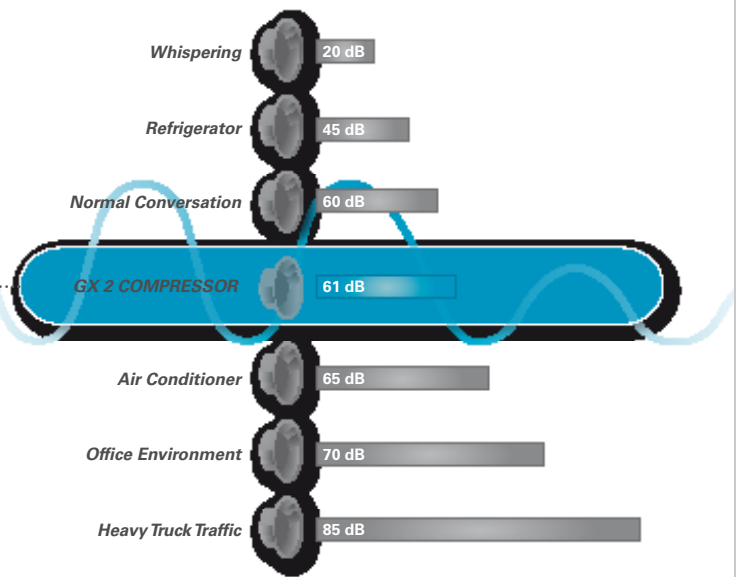
## SIMPLE AND QUICK MAINTENANCE

- Service points are grouped together and are accessible through the removable front panel.
- Spin-on oil separator and filter for quick maintenance.
  - Oil level display.



# Simple power, total reliability

Set to meet your specific requirements and tackle your daily challenges, Atlas Copco offers you the GX, by far the most powerful and reliable compressed air solution. Immediately ready to supply high quality air, this solution provides you with the exceptional power and reliability you are looking for.



## SILENT POWER

- The GX 2-11 are supplied with full sound enclosures, which reduce the sound levels as low as 61 dB(A).
- Rotary screw technology minimizes vibration.
- Low noise fans for silent operation.

## BUILT-IN RELIABILITY

- Rugged screw compressor technology allows for a 100% continuous duty cycle.
- Maximum mechanical simplicity providing increased dependability.
- All oil lines are rigid pipe or high temperature hoses.
- No plastic oil tubing is used.
- All electrical wiring is done with heavy-duty cable and high quality connectors.
- Low operating temperature insures long life and eliminates the necessity for an aftercooler.
- The GX package includes the main switch with integrated circuit breaker to protect the compressor.

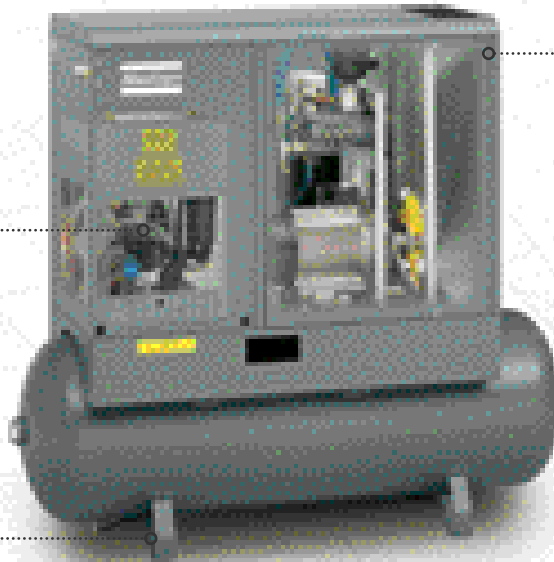


# High-quality clean and dry air

Moisture, dirt particles and aerosols in plant air can damage your piping, compressed air tools and machinery as well your end products. To keep production operations running smoothly, you are in need of clean and dry compressed air. The GX 2-11 compressors can be equipped with an integrated dryer, an in-line air filter and electronic drain option.

## FULL FEATURE AIR DRYER

The GX 2-11 is available with an advanced built-in refrigerant air dryer. This dryer cools the compressed air and removes water vapor before it can enter your compressed air network, preventing rust in your compressed air piping and avoiding damage to your air tools.



## ELECTRONIC RECEIVER DRAIN

Compressed air receivers always require periodic drainage to remove any condensate that may accumulate. With the electronic drain option, this operation is handled automatically and efficiently.

## PDX HIGH EFFICIENCY AIR FILTER

All oil-lubricated compressors expose your compressed air to oil vapors. These oil vapors, combined with atmospheric pollutants, can create abrasive oil sludge. The best way to protect your tools and machinery is to install an in-line PDX air filter.

## FLOW CHART

### AIR FLOW

1. Inlet air filter
2. Inlet check valve
3. Compression element
4. Oil separator element
5. Minimum pressure valve
6. Aftercooler
7. Air receiver

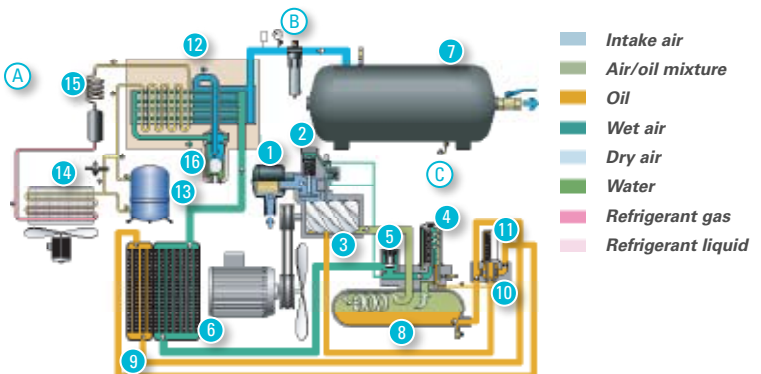
### OIL FLOW

8. Oil reservoir
9. Oil cooler
10. Thermostatic valve block
11. Oil filter

### REFRIGERANT FLOW

12. Evaporator
13. Refrigerant compressor
14. Condenser
15. Capillary tube
16. Water separator

- A - Full Feature  
 B - PDX high efficiency air filter  
 C - Electronic receiver drain



# Technical specifications GX 2-3-4-5-7-11

COMPRESSOR TYPE	Max. working pressure		Capacity FAD*			Installed motor power		Noise level**	Weight (kg/lbs)***	
	bar(e)	psi	l/s	m <sup>3</sup> /min	cfm	kW	hp	dB(A)	Pack	Full Feature
<b>50 Hz VERSION</b>										
GX 2	10	145	4.0	0.24	8.5	2.2	3	61	165/364	200/441
GX 3	10	145	5.3	0.32	11.2	3	4	61	165/364	200/441
GX 4	10	145	7.8	0.47	16.5	4	5	62	165/364	200/441
GX 5	10	145	10.0	0.6	21.2	5.5	7.5	64	165/364	200/441
GX 7	7.5	109	19.6	1.18	41.5	7.5	10	67	270/595	365/805
	10	145	15.7	0.94	33.3	7.5	10	67	270/595	365/805
	13	189	12.2	0.73	25.9	7.5	10	67	270/595	365/805
GX 11	7.5	109	26.6	1.6	56.4	11	15	69	295/650	385/849
	10	145	23.1	1.39	48.9	11	15	69	295/650	385/849
	13	189	19.0	1.14	40.3	11	15	69	295/650	385/849
<b>60 Hz VERSION</b>										
GX 2	10.3	150	4.0	0.24	8.5	2.2	3	61	165/364	200/441
GX 4	10.3	150	7.8	0.47	16.5	4	5	62	165/364	200/441
GX 5	10.3	150	10.0	0.6	21.2	5.5	7.5	64	165/364	200/441
GX 7	7.4	107	19.4	1.16	41.1	7.5	10	69	270/595	365/805
	9.1	132	17.0	1.02	36.0	7.5	10	69	270/595	365/805
	10.8	157	14.5	0.87	30.7	7.5	10	69	270/595	365/805
	12.5	181	12.3	0.74	26.1	7.5	10	69	270/595	365/805
GX 11	7.4	107	27.0	1.62	57.2	11	15	70	295/650	385/849
	9.1	132	24.4	1.46	51.7	11	15	70	295/650	385/849
	10.8	157	22.2	1.33	47.0	11	15	70	295/650	385/849
	12.5	181	19.8	1.19	42.0	11	15	70	295/650	385/849

\* Unit performance measured according to ISO 1217, Ed. 3, Annex C-1996.

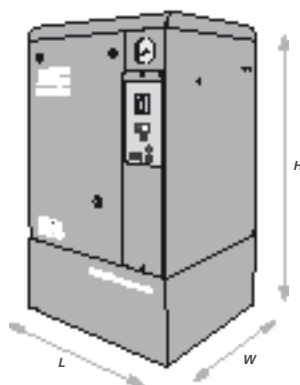
\*\* Mean noise level measured according to ISO 2151/Pneurop/Cagi PN8NTC2 test code; tolerance 3 dB(A).

\*\*\* Standard air receiver size, GX 2-5: 200 l/60 gal, GX 7-11: 270 l/72 gal.

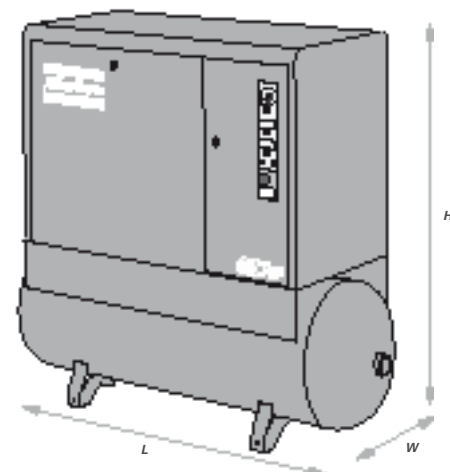
## Available options

	GX 2-5	GX 2-5 FF	GX 7-11	GX 7-11 FF
Dryer transformer kit	N/A	•	N/A	N/A
High performance PDx filter kit	N/A	•	N/A	•
Electronic receiver drain (tank mounted only)	•	•	•	•
Electronic water drain	N/A	N/A	TM only	•
Aftercooler with water separator	N/A	N/A	•	Included
Aftercooler	N/A	N/A	•	Included
500 L air receiver (tank mounted only)	N/A	N/A	•	•
Tropical thermostat	N/A	N/A	•	•

	L (mm)	W (mm)	H (mm)
<b>PACK FLOOR MOUNTED</b>			
GX 2-5	620	605	975
GX 7-11	870	625	994
<b>FULL FEATURE FLOOR MOUNTED</b>			
GX 2-5	N/A	N/A	N/A
GX 7-11	1165	625	994
<b>PACK TANK MOUNTED</b>			
GX 2-5	1420	575	1280
GX 7-11	1520	625	1418
<b>FULL FEATURE TANK MOUNTED</b>			
GX 2-5	1420	575	1280
GX 7-11	1520	625	1418



GX 2-5 Floor Mounted



GX 7-11 FF Tank Mounted



In order to be First in Mind—First in Choice™ for all your compressed air needs, Atlas Copco delivers the products and services that help increase your business' efficiency and profitability.

Atlas Copco's pursuit of innovation never ceases, driven by your need for reliability and efficiency. Always working with you, we are committed to providing you the customized quality air solution that is the driving force behind your business.



**Never use compressed air as breathing air without prior purification in accordance with local legislation and standards.**

